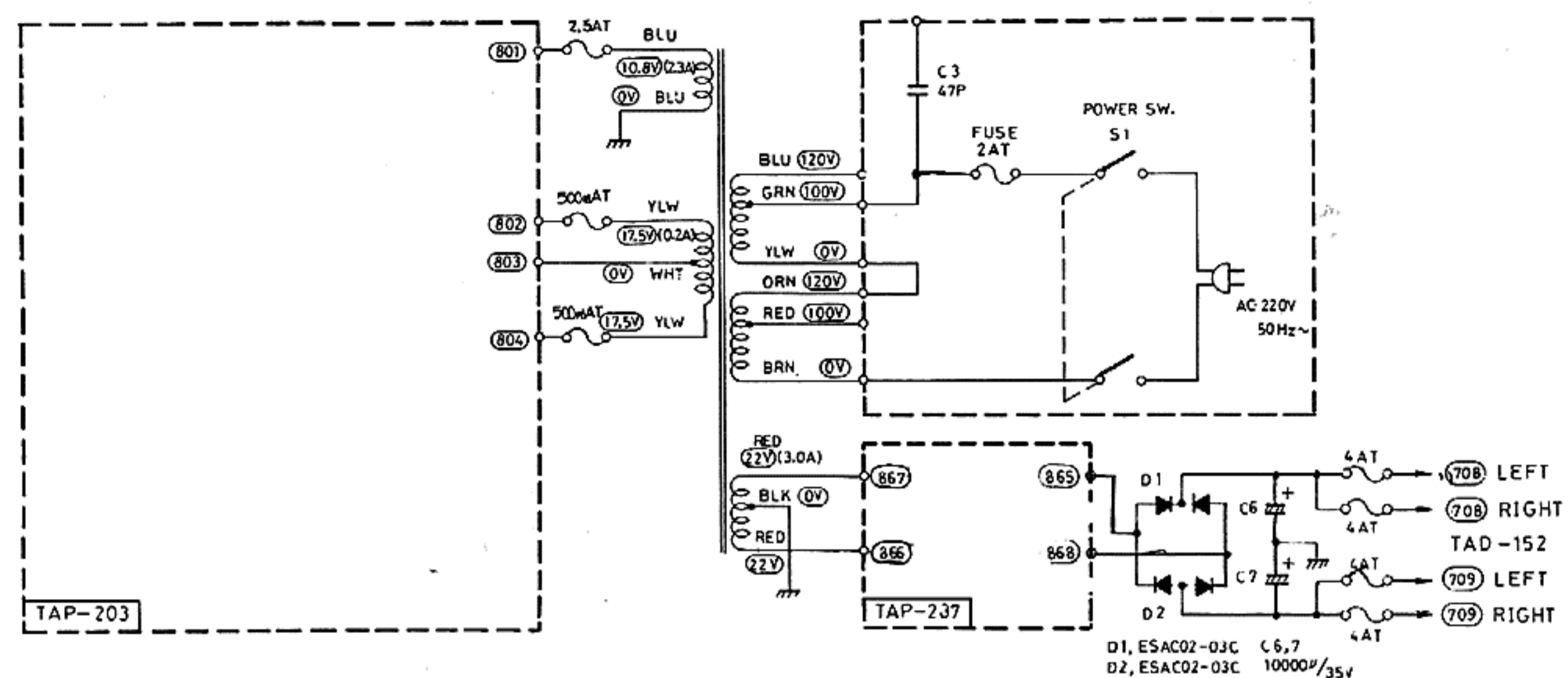
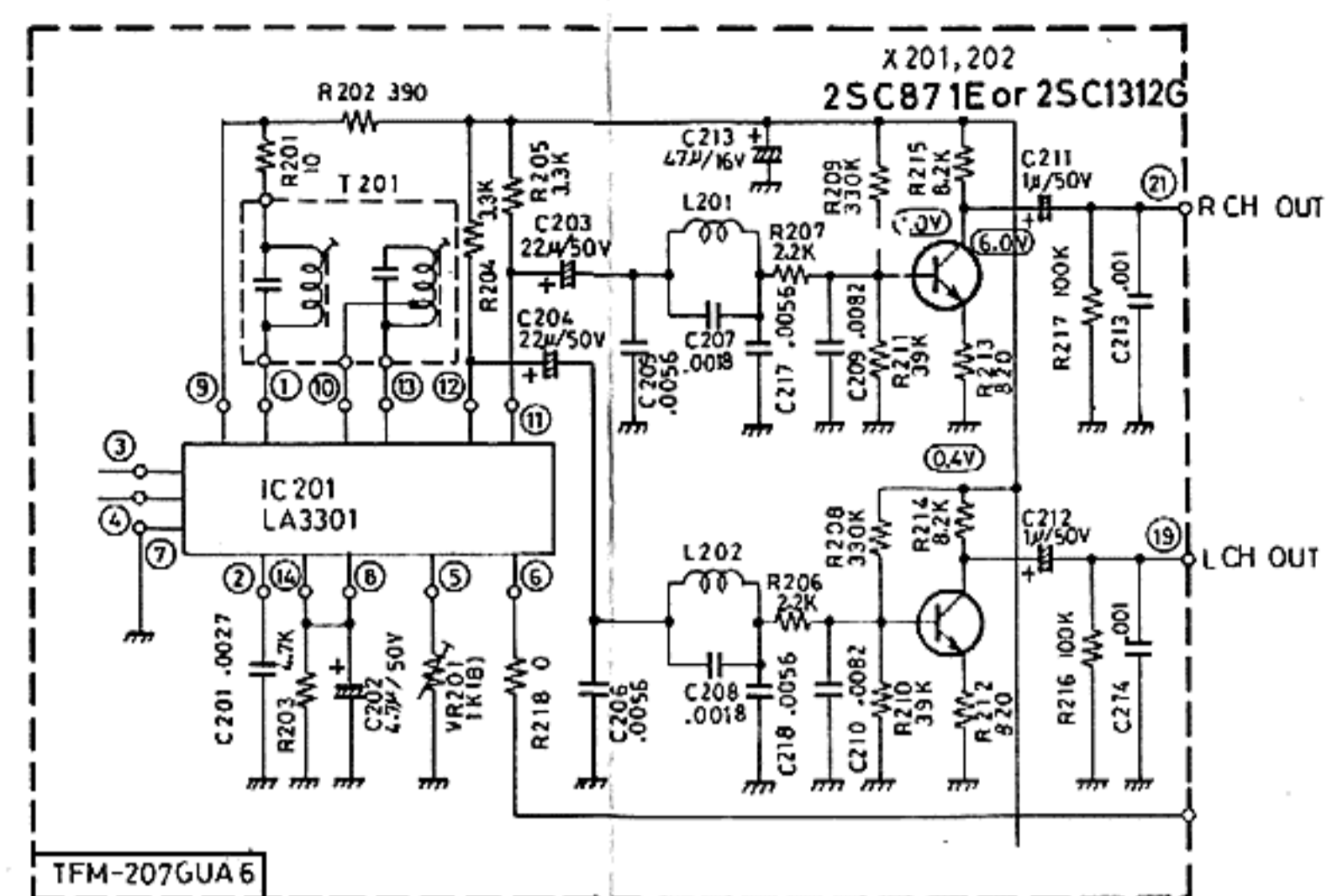


(E) FOR EUROPE

■ PRIMARY CIRCUIT (AC 220V 50Hz~)

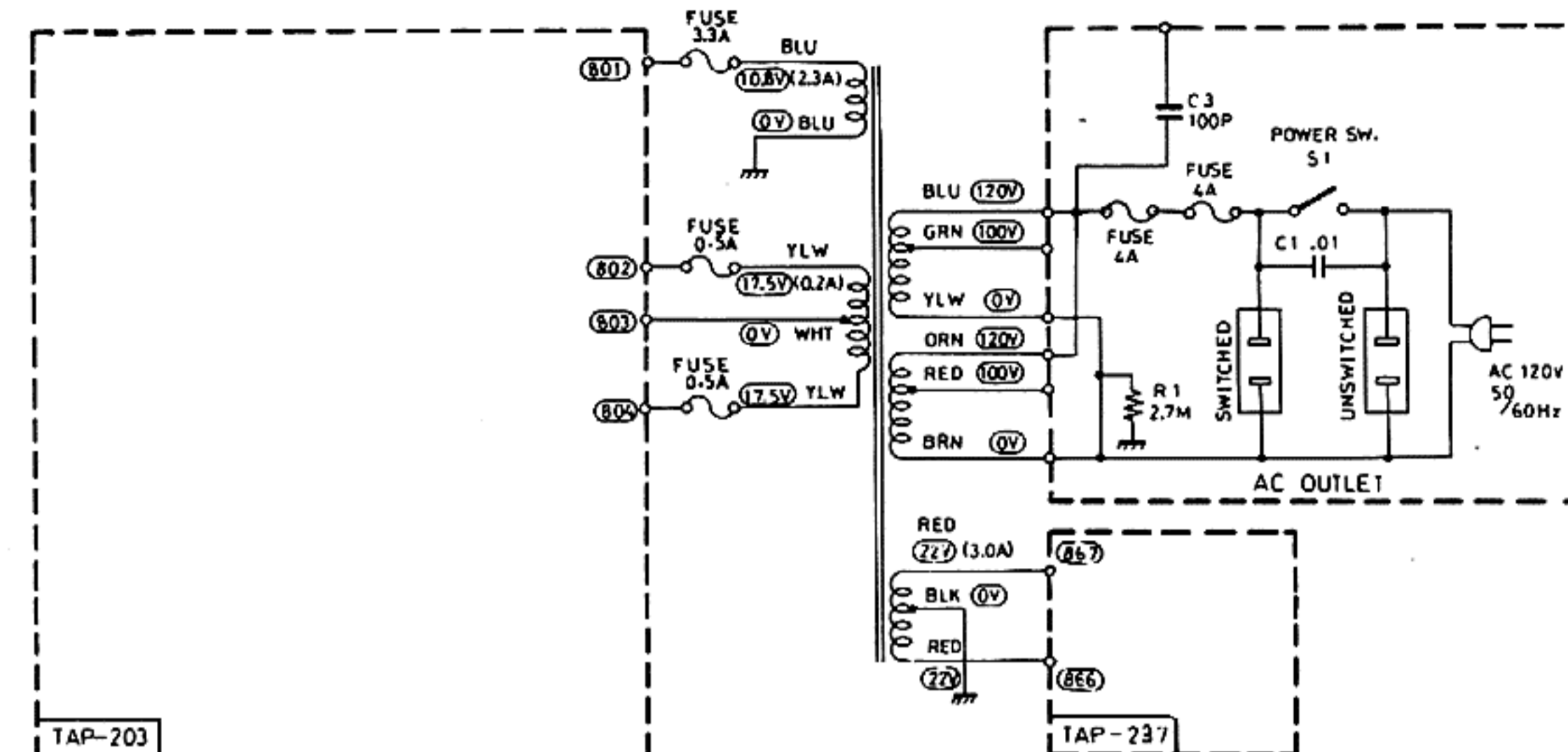


■ FM MPX CIRCUIT (DE-EMPHASIS 50μS)



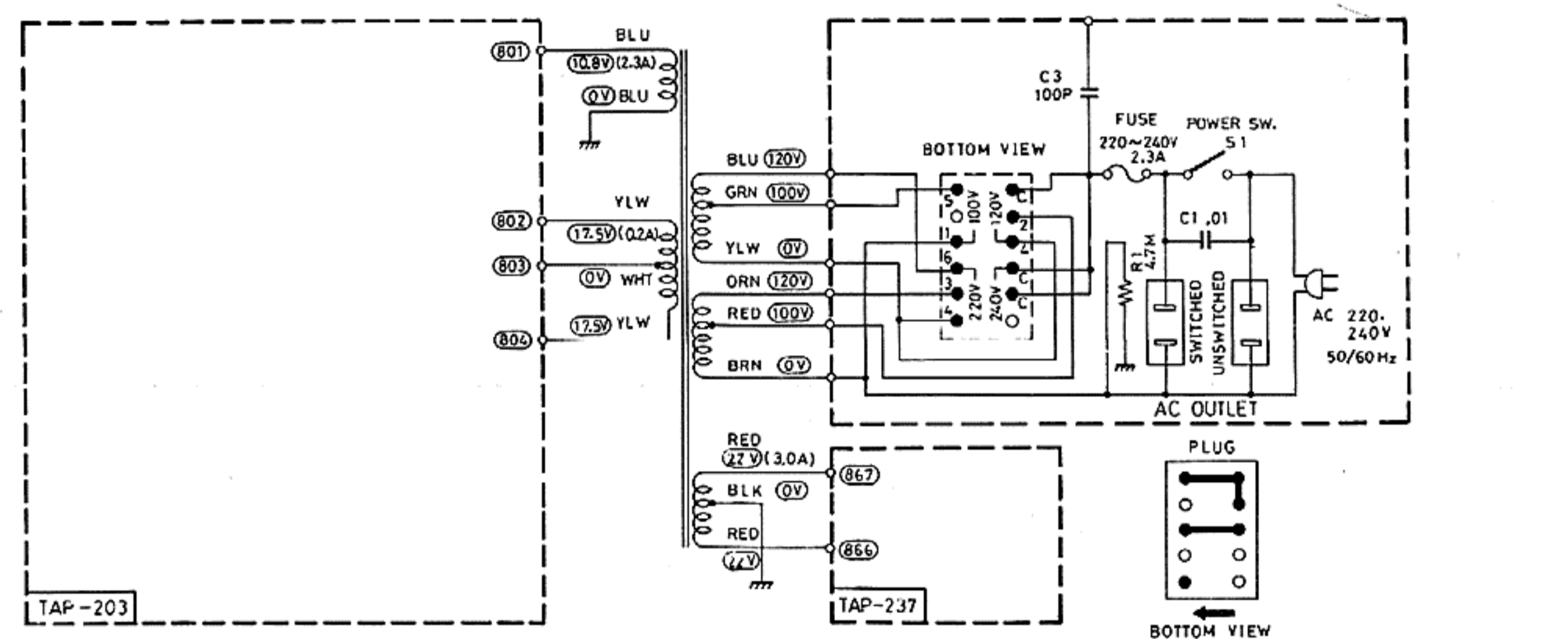
(M) FOR CANADA

■ PRIMARY CIRCUIT (AC 120V 50/60Hz)

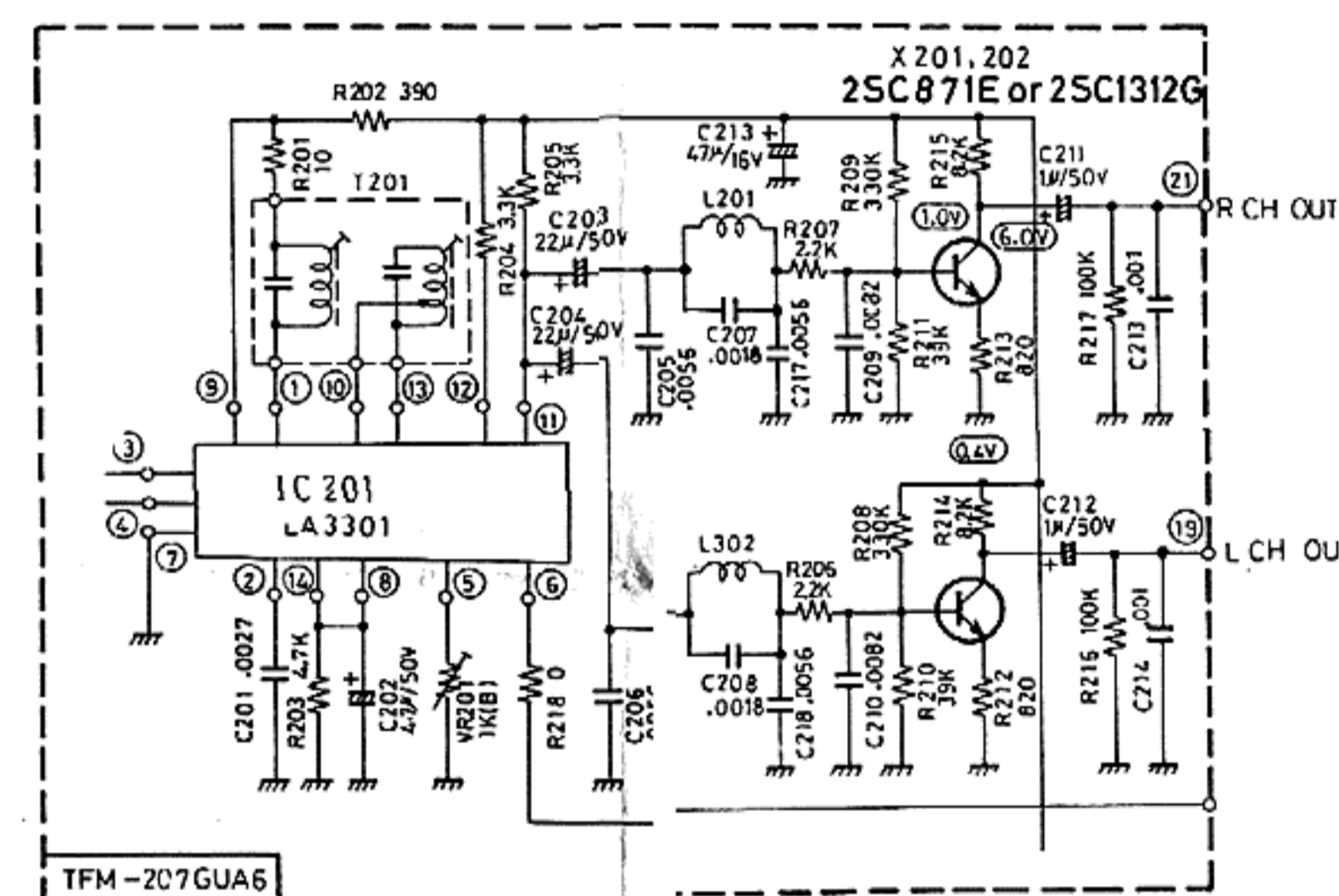


(F) FOR EUROPE

■ PRIMARY CIRCUIT (AC 220, 240V 50 / 60 Hz)

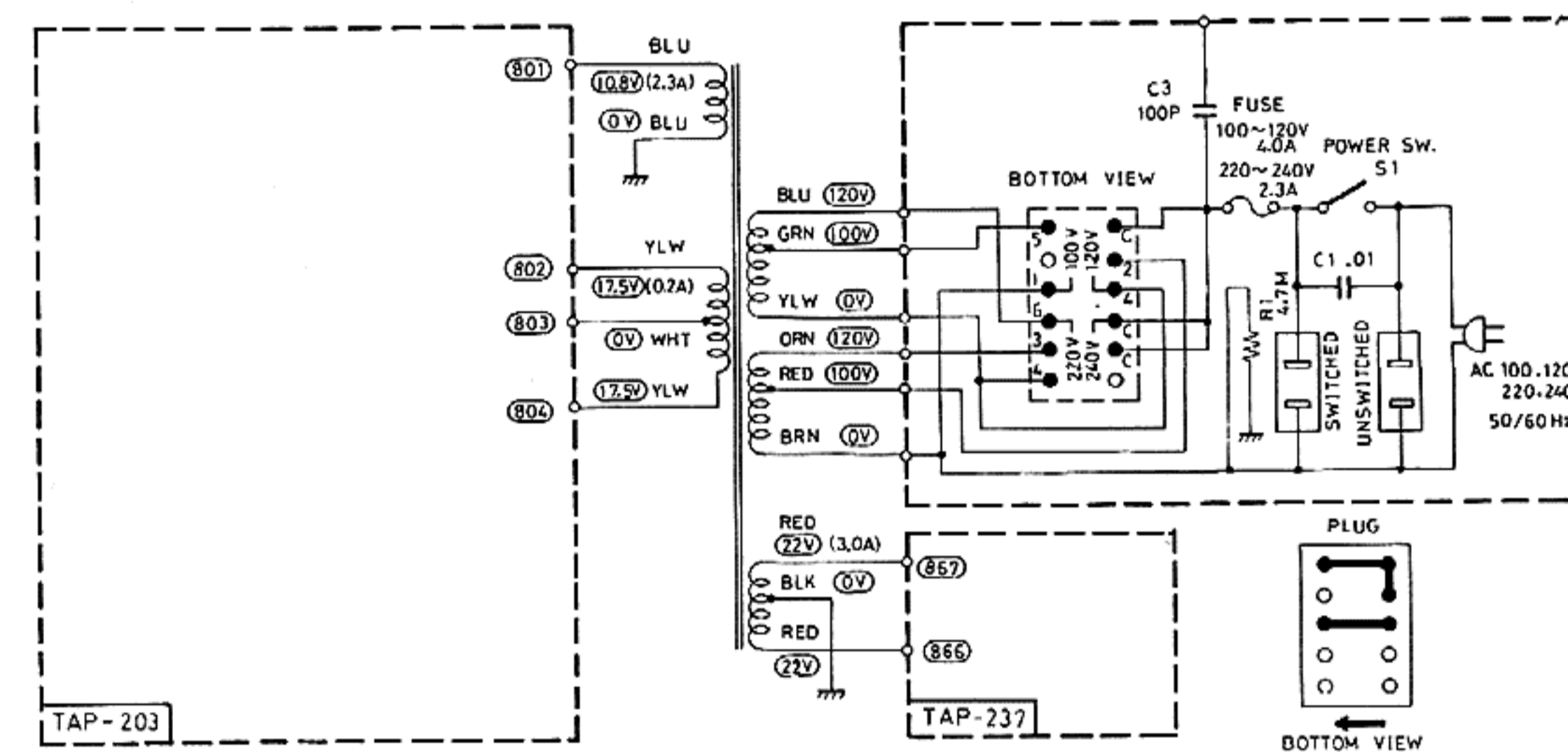


■ FM MPX CIRCUIT (DE-EMPHASIS 50μS)

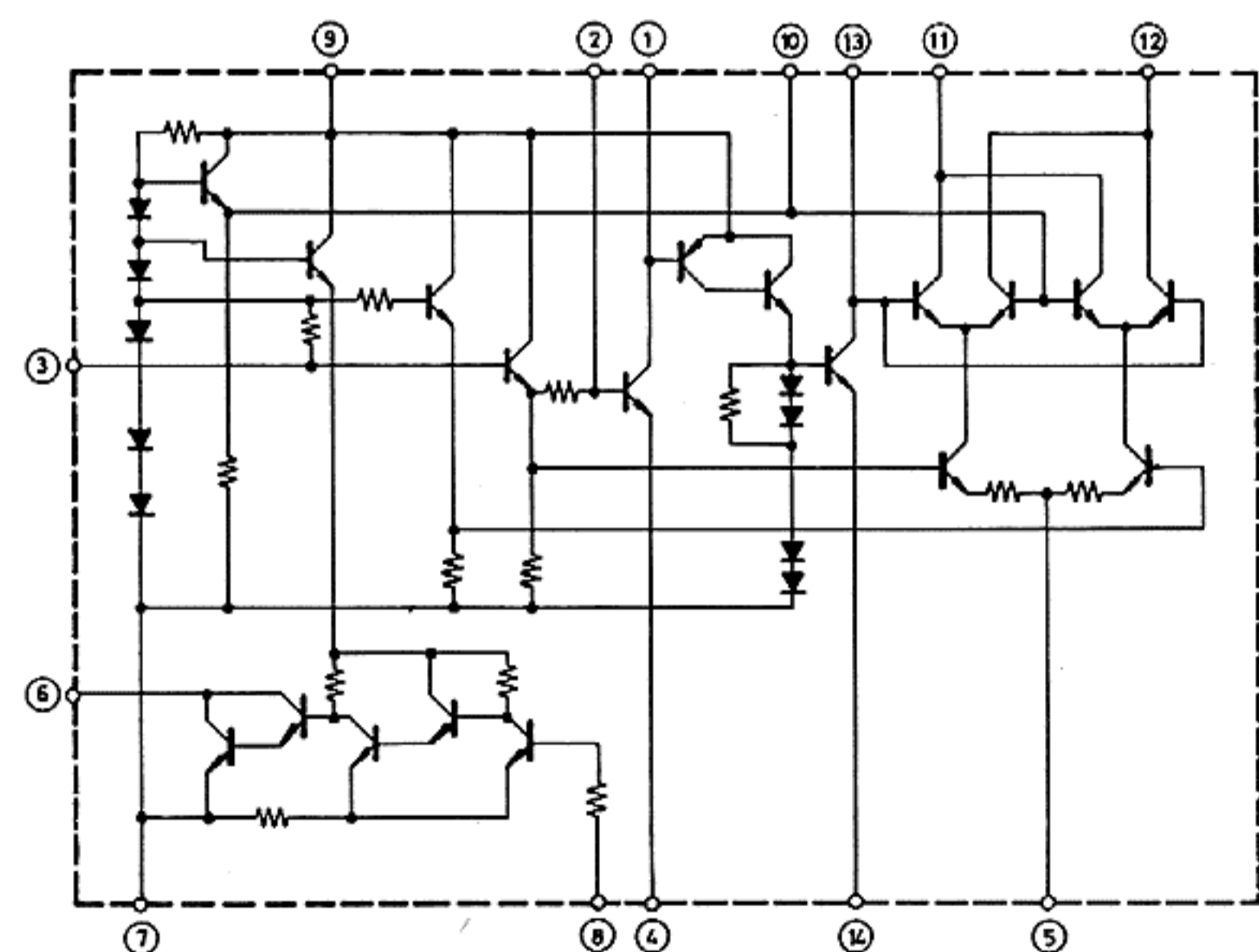


(P) (U) FOR PACEX NEX AND OTHER COUNTRIES

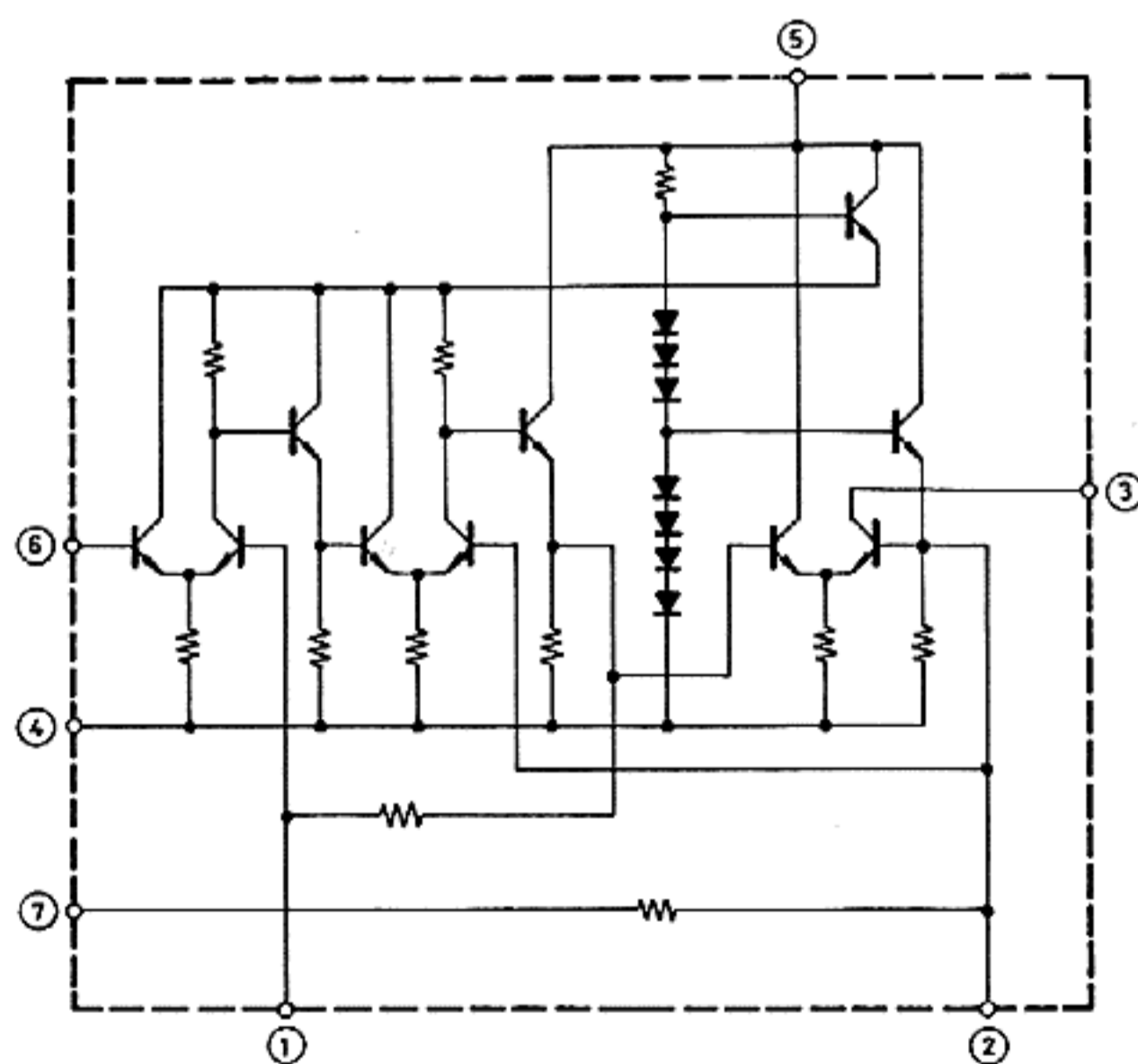
■ PRIMARY CIRCUIT (AC 100, 120, 220, 240 V 50 / 60 Hz)



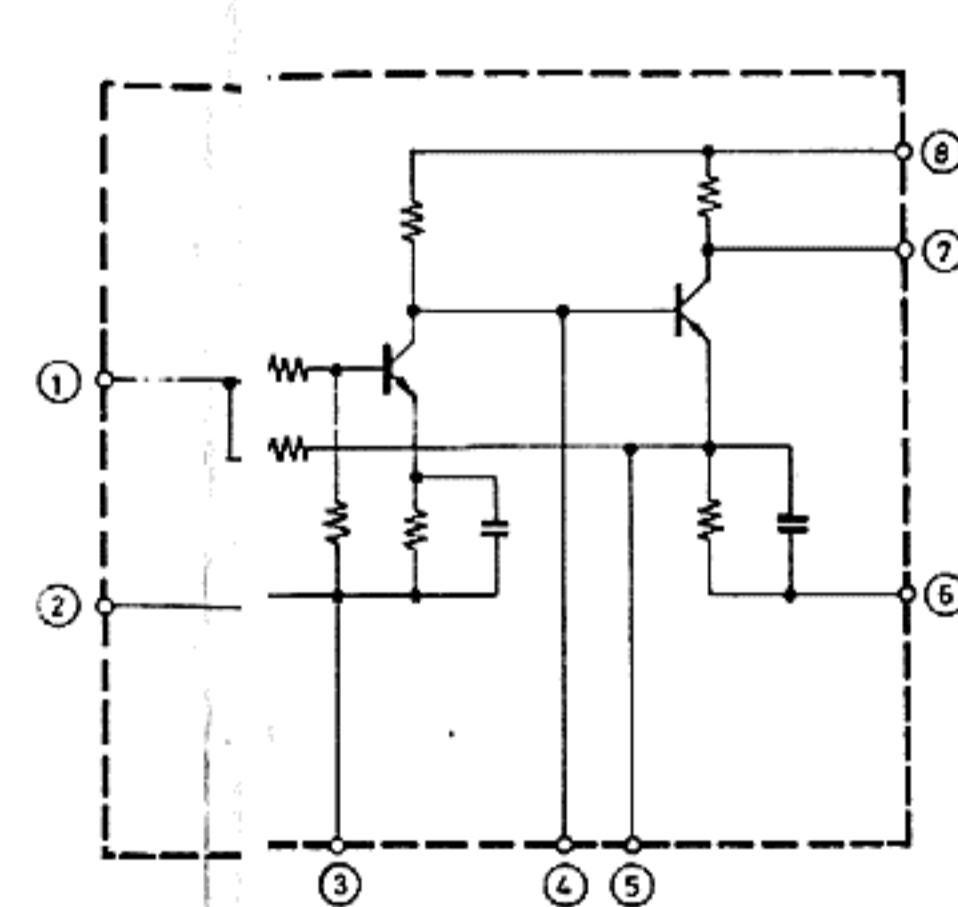
IC 201 (LA3301)



IC102 (TA7061AP)

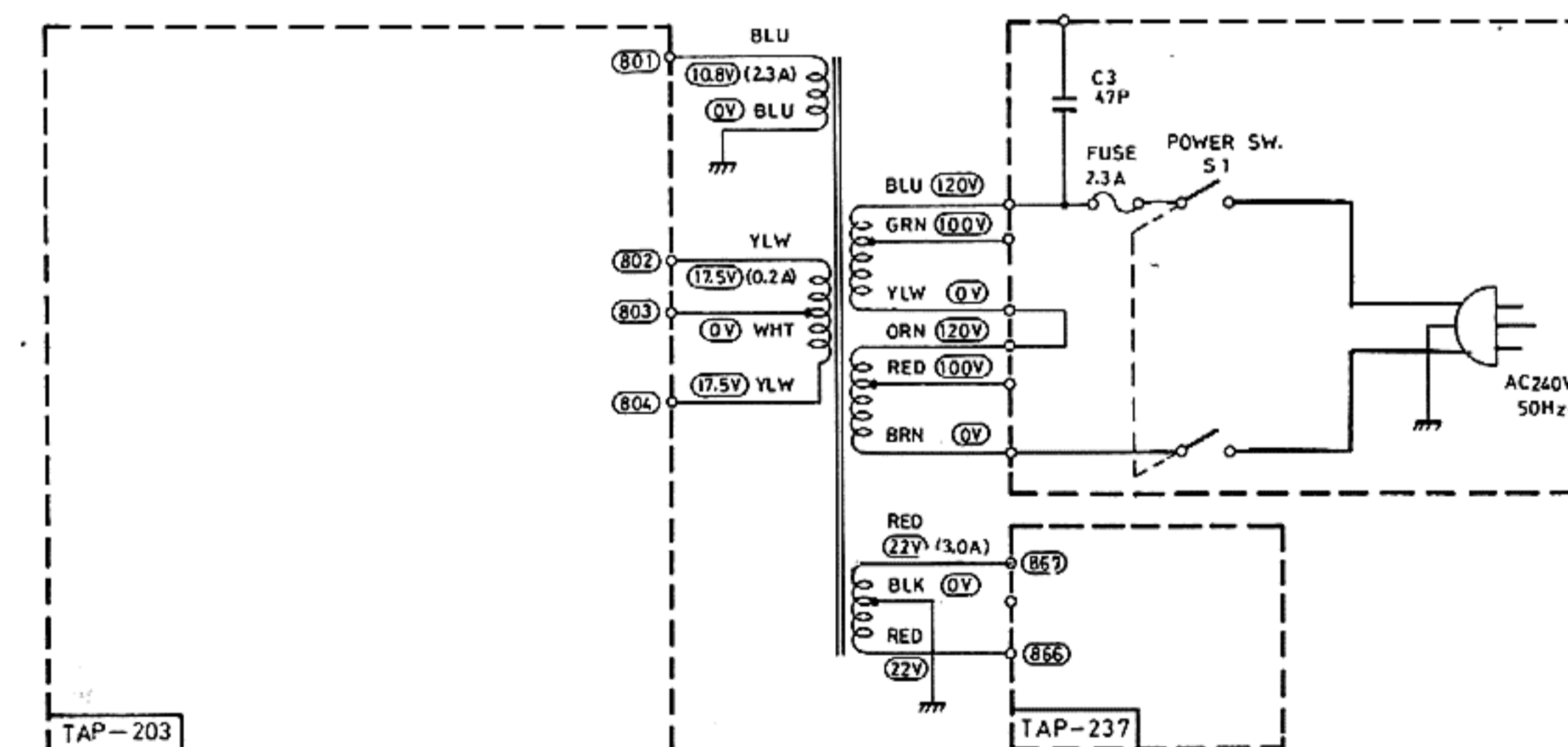


IC 01



(A) FOR AUSTRALIA AND ENGLAND

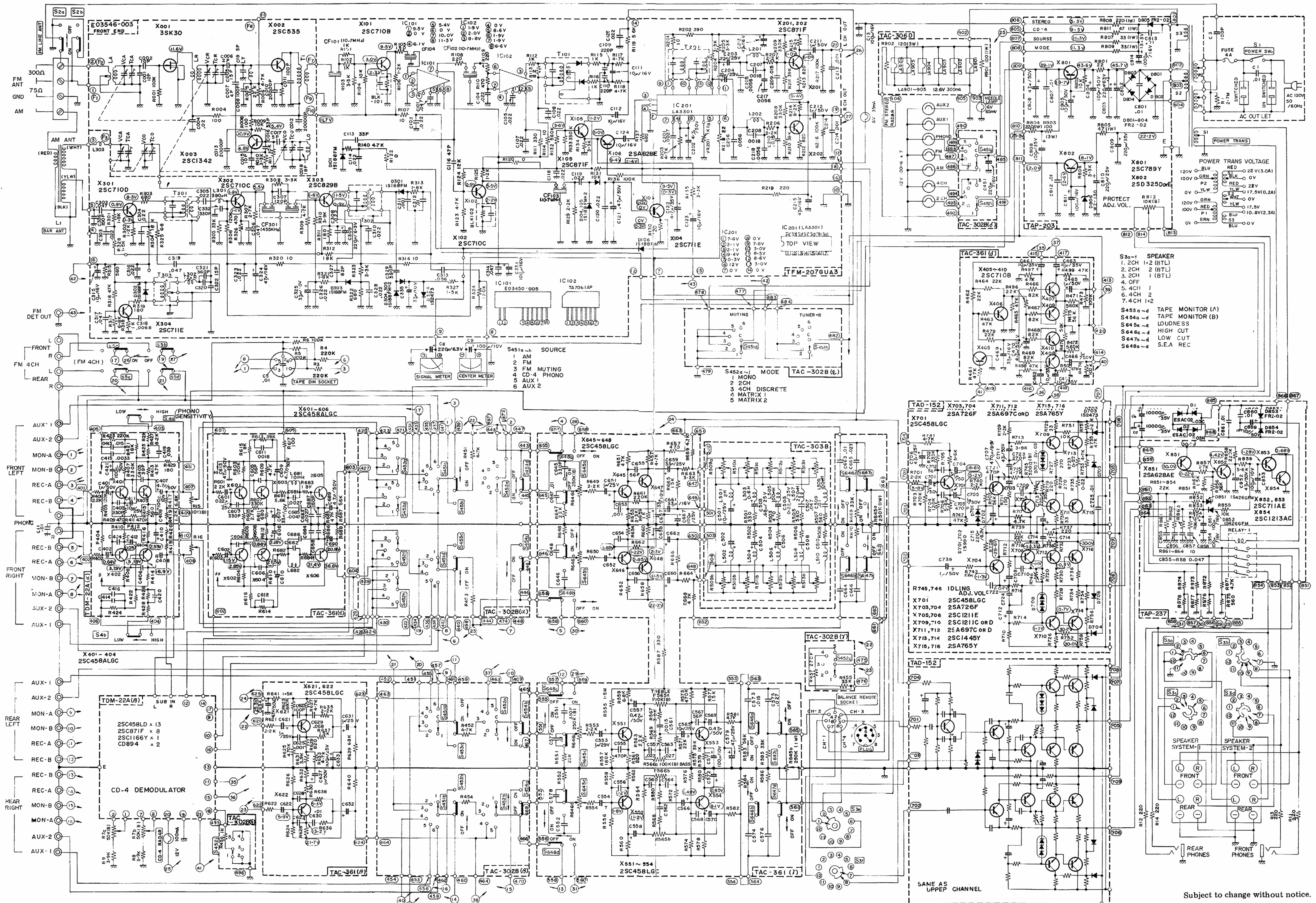
■ PRIMARY CIRCUIT (AC 240V 50Hz~)



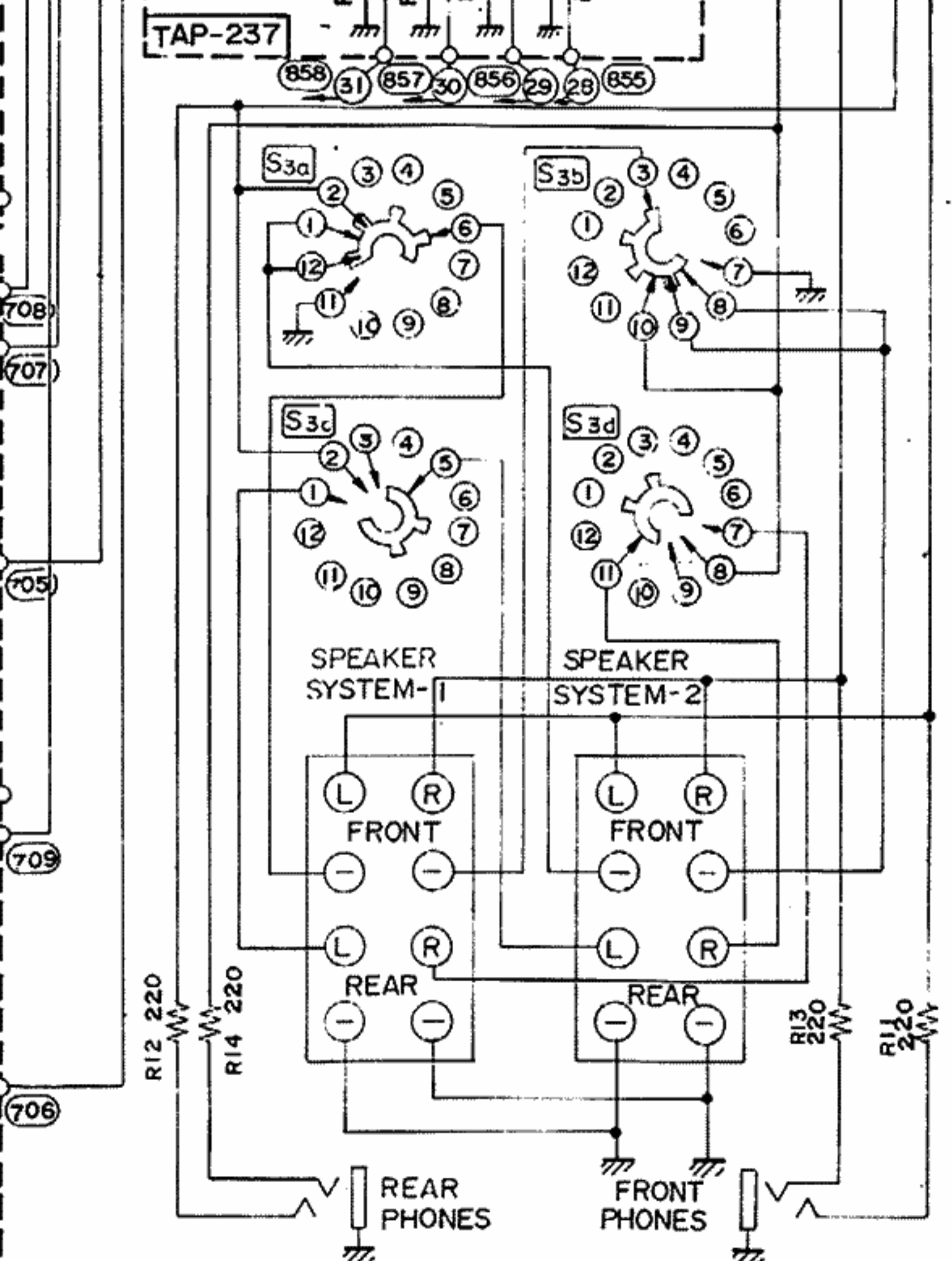
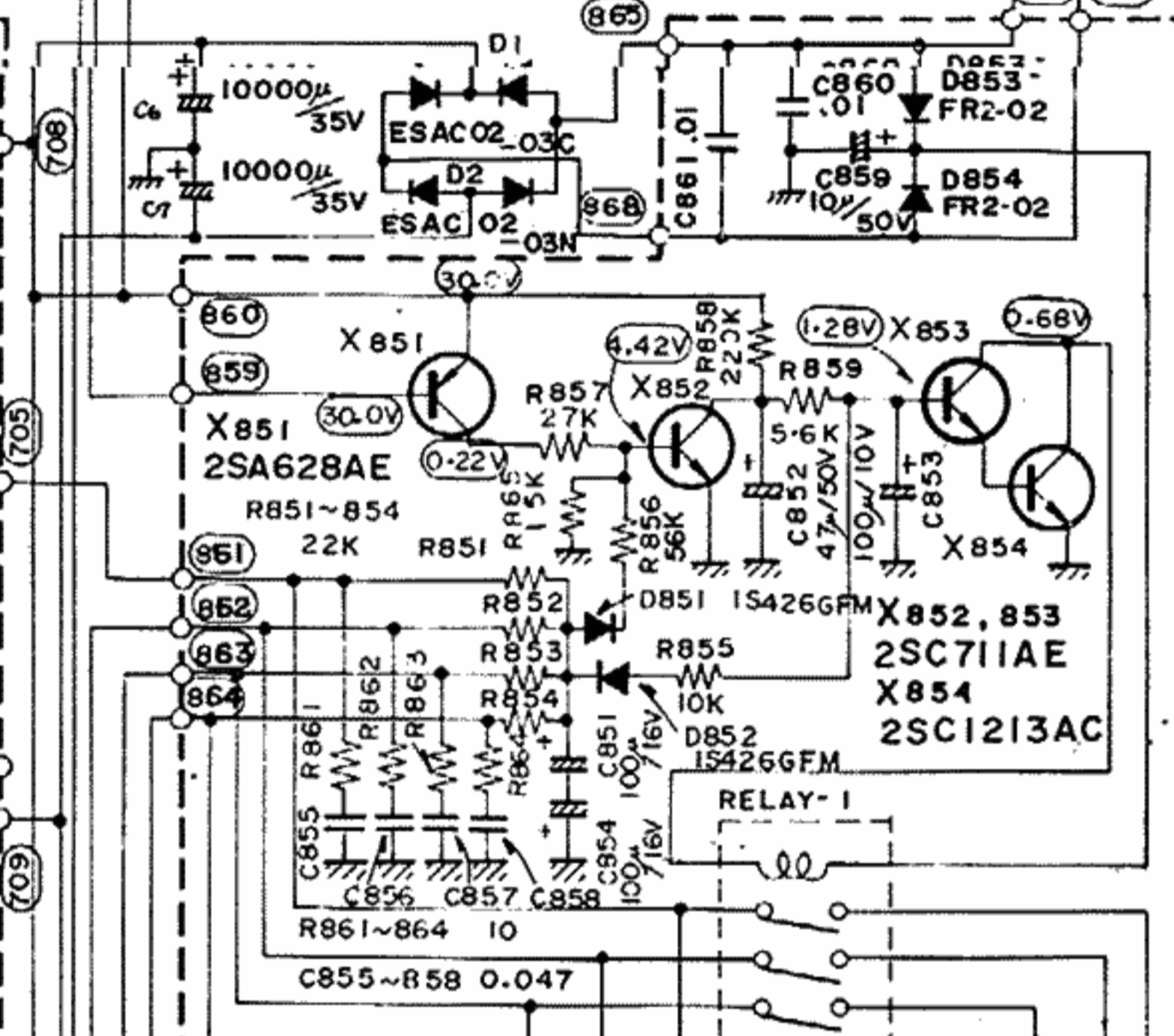
MODEL 4VR-5446X SCHEMATIC DIAGRAM

* This Schematic Diagram is for U.S.A.

Note: The primary circuit and parts of the other circuits are slightly different from this diagram in other areas, therefore please see the schematic diagrams shown on the back page.



- S3a-1 SPEAKER**
 1. 2CH 1+2 (BTL)
 2. 2CH 2 (BTL)
 3. 2CH 1 (BTL)
 4. OFF
 5. 4CH 1
 6. 4CH 2
 7. 4CH 1+2
- S453-a-d TAPE MONITOR (A)**
S454-a-d TAPE MONITOR (B)
S645a-d LOUDNESS
S646a-d LOUDNESS
S647a-d LOW CUT
S648a-d S.E.A REC



IMPORTANT

The Voltage Selection and Fuse Replacement of this set.

(Note the indication of primary fuse(s))

Although this set is pre-set for the use on your area's AC line voltage without any re-adjustment, it can be used on all AC voltages in the world through following adjustments.

To change the voltage, remove a voltage selector cover located on the rear panel near the power cord or on the chassis base inside the enclosure, and replace the plug so that its arrow coincides with the required voltage marked on the selector socket. Do not forget to replace the fuse as well with one of appropriate capacity.

The AC line voltage

	100V – 120V	200V – 240V
Use a	0.25A fuse	0.2A fuse
	0.5A fuse	0.2A fuse
	0.8A fuse	0.5A fuse
	1 A fuse	0.5A fuse
	1.2A fuse	0.8A fuse
	2.3A fuse	1.2A fuse
	3.3A fuse	1.8A fuse
	4.0A fuse	2.3A fuse
	5.0A fuse	2.3A fuse
6.0A fuse	3.3A fuse	

